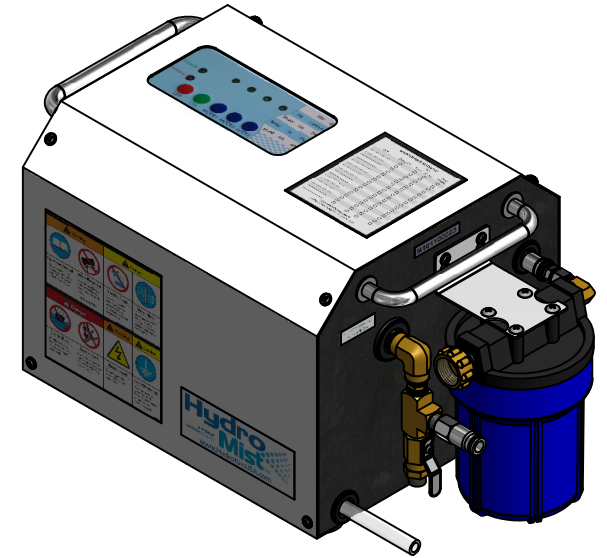
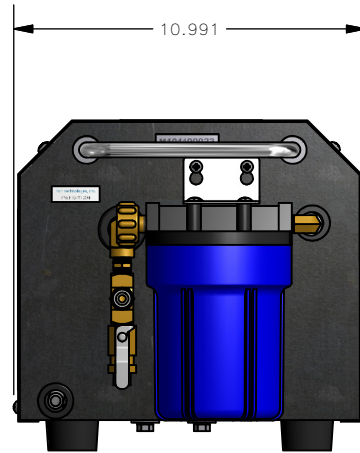
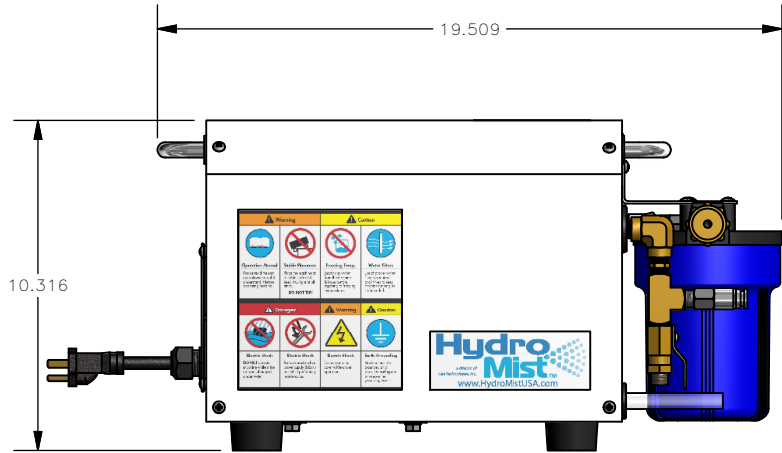


NOTES: UNLESS OTHERWISE SPECIFIED

REV	REVISION DESCRIPTION	BY	APVD	DATE
	INITIAL RELEASE	DPK		7/15/2014



CONNECTIONS
 POWER: 110V 15 AMP PLUG
 WATER IN: 3/4" FEMALE GARDEN HOSE FITTING
 HP WATER OUT: 3/8" FEMALE TUBE FITTING

SPECIFICATIONS
 POWER: 4.0 AMPS AT 110 VOLTS
 WEIGHT: 50 LBS
 CAPACITY: UP TO 12 NOZZLES

SHIPPING
 CLASS: GROUND
 BOX: 21"x12"x12"
 PALLET: NO

CONFIDENTIAL INFORMATION

PART NO: F10-04-003



DO NOT SCALE DRAWING

MATERIAL:

TOLERANCES UNLESS OTHERWISE SPECIFIED 125/ ✓
 .X ±.100 .XXX ±.005
 .XX ±.010 .XXXX ±.001
 ANGLE ±1' FRACTIONAL ±N/A

FINISH:

DWN BY: D.KOWAL 7/15/2014

APVD BY:



FAN TECHNOLOGIES
 P.O. BOX 1776
 CEDAR PARK, TX, 78630
 (512) 219-8481

LEGAL NOTICE: TRADE SECRETS AND/OR CONFIDENTIAL/ PROPRIETARY INFORMATION OWNED BY FAN TECHNOLOGIES IS CONTAINED HEREIN AND MAY NOT BE DISCLOSED, USED, DUPLICATED OR DISTRIBUTED WITHOUT FANTECH'S PRIOR WRITTEN CONSENT. YOUR FAILURE TO PROTECT FAN TECHNOLOGIES' TRADE SECRETS AND/OR CONFIDENTIAL/PROPRIETARY INFORMATION MAY RESULT IN YOUR LIABILITY FOR ALL RESULTING DAMAGES AND LOSSES.

DESCRIPTION: PUMP, 1/3 HP .14 GPM W/ FILTERS

DIMENSIONS ARE IN INCHES UNLESS OTHERWISE SPECIFIED

DRAWING NO: F10-04-003_CUT SHEET-1-3HP

SHEET 1 OF 1