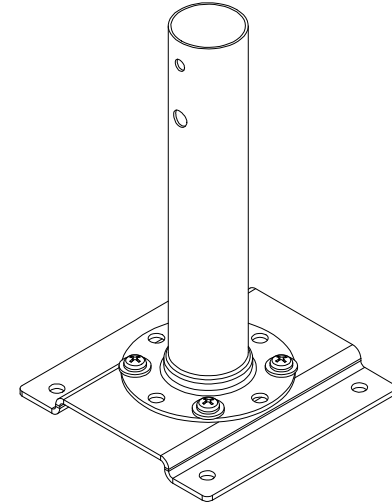
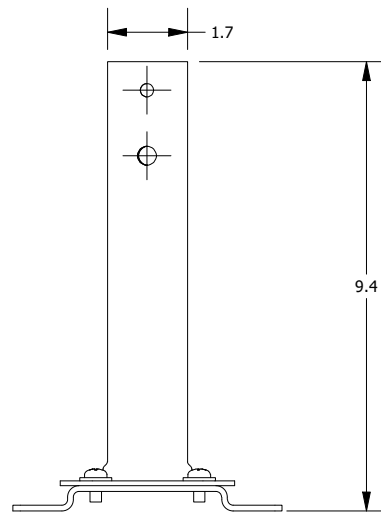
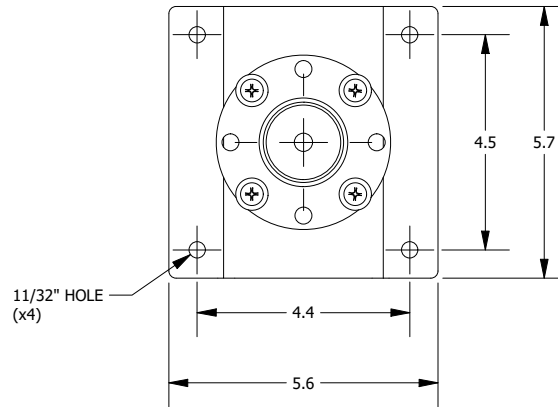


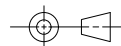
NOTES: UNLESS OTHERWISE SPECIFIED

REV	REVISION DESCRIPTION	BY	APVD	DATE
	INITIAL RELEASE	N.D.		7/2/2019



CONFIDENTIAL INFORMATION

PART NO:	F10-05-013
MATERIAL:	N/A
FINISH:	N/A



DO NOT SCALE
DRAWING

TOLERANCES UNLESS OTHERWISE SPECIFIED 125 ✓

.X ± .100	.XXX ± .005
.XX ± .010	.XXXX ± .001
ANGLE ± 1°	FRACTIONAL ± N/A

DWN BY:	N.DOUGLAS	7/2/2019
APVD BY:		
LEGAL NOTICE: TRADE SECRETS AND/OR CONFIDENTIAL/ PROPRIETARY INFORMATION OWNED BY FLAME TECHNOLOGIES DUPLICATED OR DISTRIBUTED WITHOUT FLAMETECHS PRIOR WRITTEN CONSENT. YOUR FAILURE TO PROTECT FLAME TECHNOLOGIES' TRADE SECRETS AND/OR CONFIDENTIAL/PROPRIETARY INFORMATION MAY RESULT IN YOUR LIABILITY FOR ALL RESULTING DAMAGES AND LOSSES.		

FLAME TECH

FLAME TECHNOLOGIES
P.O. BOX 1776
CEDAR PARK, TX, 78630
(512) 219-8481

DESCRIPTION:	CEILING MOUNT	
DIMENSIONS ARE IN INCHES UNLESS OTHERWISE SPECIFIED	DRAWING NO:	F10-05-013_CEILING MOUNT
SHEET 1 OF 1		