



CentraMist Ceiling Fan Manual

360° Misting



HydroMist™

a division of Flame Technologies, Inc.

P.O. Box 1776
Cedar Park, TX 78630

Call: 512-225-0923

Email: orders@hydromistusa.com

<http://www.HydroMistUSA.com>

©2018 HydroMist. All rights reserved.

Updated 09/27/18.

The purpose of this document is to be informative, and as such is not guaranteed to be error-free. HydroMist takes steps to ensure that our information is correct and as error-free as is reasonable. Please let us know if you believe you found a typo or error.

Contents

Warnings	5
What's In the Box	6
Assembly	8
Operation.	9
Power & Speed Control.	9
Misting.	10
Winterizing Instructions for Misting Fan Heads	10
Replacement Parts	10
Available CentraMist Fan Models	10
HydroMist One (1) Year Limited Warranty	11



Warnings

Read and follow all instructions before operating fan. Do not use fan if any parts are damaged or missing. Do not bend blades.

Do not expose the fans to water from a high-pressure cleaner (pressure washer). Doing so could lead to electrical shock or damage to the motor.

Always disconnect fan from power outlet before cleaning, moving or repositioning.

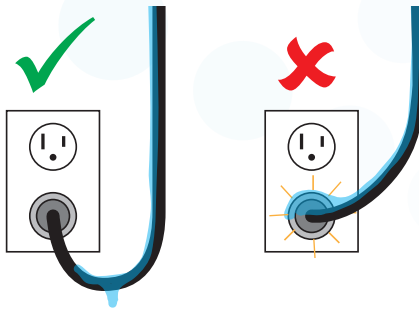
To clean, simply wipe down with soapy water & gently rinse with a hose. Dry fan before reconnecting to power outlet.

Never insert fingers or any other objects through grills while fan is operating.

Do not operate mist in freezing weather conditions. Misting components must be winterized to prevent damage.

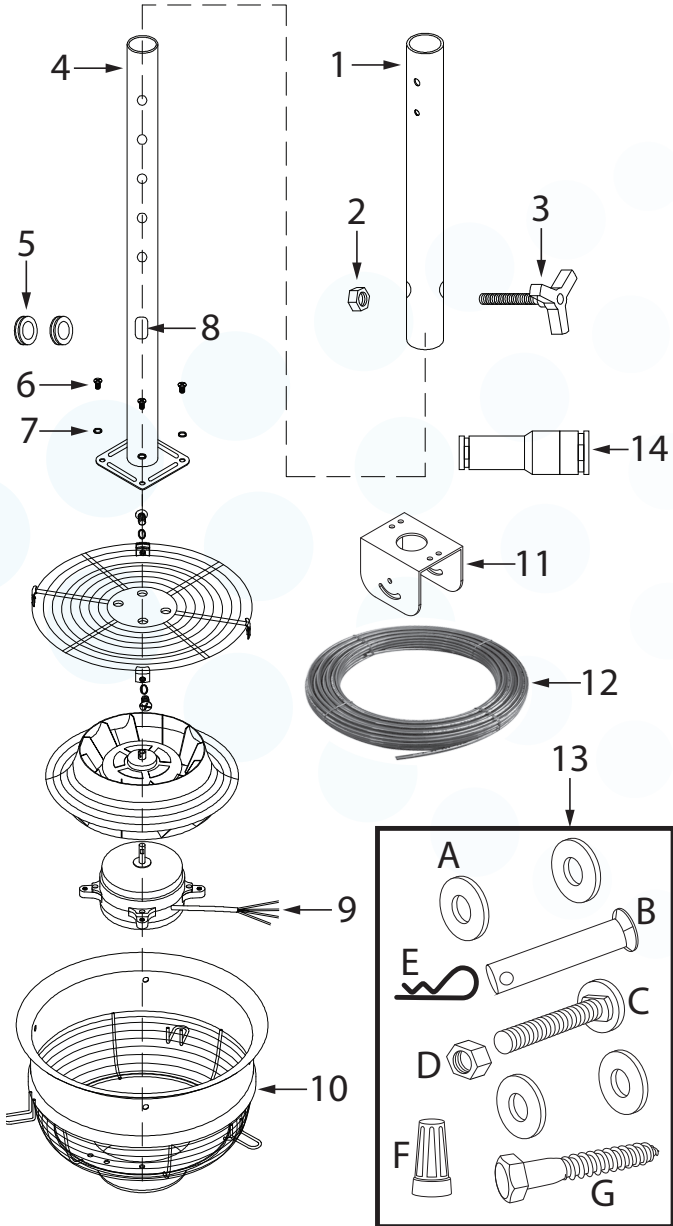
Motor bearings are sealed and do not require additional lubrication.

When securing power cables on outdoor installations, loop them below and back up to the power outlet. This makes any moisture collection on the cable drip to the floor instead of into the outlet.



Included instructions are written for U.S. wiring standards and building codes. Please refer to your local wiring standards and building codes to avoid complications or personal injury.

What's In the Box



#	DESCRIPTION	QTY
1	Upper Mounting Pole	1
2	Height Adjusting Nut	1
3	Height Adjusting Bolt	1
4	Lower Mounting Pole	1
5	Rubber Pole Grommets	2
6	Pole-to-fan Mounting Screw	4
7	Pole-to-fan Mounting Screw Washer	4
8	Wire and Tube Routing Hole	2
9	Power Cord	1
10	Fan Head with Misting Nozzles (nozzles already installed)	1
11	Black Mounting Bracket	1
12	1/4-Inch Nylon Tube	1
13	Mounting Bracket Hardware Set	1
13-A	Washers	4
13-B	Clevis Pin	1
13-C	Clamping Bolt	1
13-D	Locking Nut	1
13-E	Cotter Pin	1
13-F	Wire Nut	3
13-G	lag Screw	4
14	3/8-Inch x 1/4-Inch Reducer	1

Fan and upper mounting pole should both be either black or off-white, not mixed. Lower mounting pole is not painted. Mounting bracket is black for both black and off-white fan models.

Assembly

1. Attach Fan Head unit (10) to Lower Mounting Pole (4) using the Pole-to-fan mounting screws and washers (6), (7).
2. Push power wire (9) through one of the Wire and Tube Routing Holes (8) until the wire exits the end of the Upper Mounting Pole (1).

Note: Try twisting the wire and/or pushing and pulling repeatedly if it is difficult to push the wire through.

3. Starting at one of the Wire and Tube Routing Holes (8) Push the included 1/4 Inch Nylon Tube (12) through the Lower and Upper Mounting Poles (4), (1), until the tube exits the open end.

Note: Try twisting the tubing and/or rapidly pushing and pulling repeatedly if it is difficult to push the tube through.

4. Press the end of Nylon Tube (12) into the pre-installed hose adapter fitting on the misting ring.
5. Attach the Mounting Bracket (11) to an appropriate ceiling mounting location using 4 ea of Lag Screw (13-G). Supplied Lag Screws (13-G), are designed to secure the mounting bracket into a wooden ceiling joist. For other materials, please purchase appropriate mounting hardware.

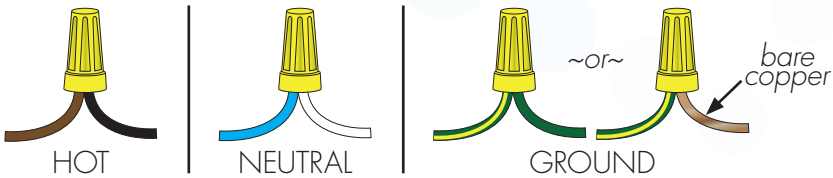
WARNING: Mounting Bracket must be secured to a ceiling joist or other surface that will support 60 pounds.

6. Insert the Clevis Pin (13-B) into a flat washer (13-A).
7. While supporting the weight of the fan, slide the Upper Mounting Pole into the Mounting Bracket, and insert the Clevis Pin (13-B) with Washer (13-A) through the center hole on the Mounting Bracket, through the top hole of the Upper Mounting Pole and out through the other Mounting Bracket (11) center hole.
8. Slide a washer (13-A) over the end of the Clevis Pin (13-B) with the hole in it. Slide the Cotter Pin (13-E) through the hole at the end of the Clevis Pin (13-B) to secure the pin in the bracket.

9. Slide the Clamping Bolt (13-C) into a Washer (13-A).
10. Insert the Clamping Bolt (13-C) into the curved slot in the Mounting Bracket (11), through the lower hole of the Upper Mounting Pole (1) and out through the curved slot on the other side of the Mounting Bracket (11).
11. Slide a Washer (13-A) over the end of the Clamping Bolt (13-C), then thread the Locking Nut (13-D) onto the threaded end of the Clamping Bolt (13-C), and tighten the nut until the Mounting Bracket (11) is snug against both sides of the Upper Mounting Pole (1).

WARNING: Before connecting the fan wires to building wires, turn the power breaker to OFF or otherwise disable power from the building wires.

12. Press the other end of the 1/4-Inch Nylon Tube (14) into the the 3/8-Inch x 1/4-Inch Reducer fitting. Make sure to push the tube into the smaller end of the fitting, ensuring that the tube is inserted completely into the fitting. The 3/8-Inch side of the Reducer fitting connects to a misting pump.
13. Use one Wire Nut (13-F) each to connect wire pairs together, making sure to screw them on tight and have no bare wire exposed.
 - a. Brown fan wire is HOT and connects to black building wire.
 - b. Blue fan wire is NEUTRAL and connects to white building wire.
 - c. Green/yellow striped fan wire is GROUND and connects to green solid or bare copper building wire.



Operation

Power & Speed Control

The ceiling fan model does not have a built-in switch and does not have speed controls. It is intended to be connected to building wiring with a self-

provided light switch, similar to standard ceiling fans. It is *not* recommended to connect the fan to a variable speed control (rheostat), as the motor is not designed to handle that.

Misting

A high-pressure misting pump (sold separately) is required to use the misting function. See the misting pump's manual for operating instructions. HydroMist recommends the quiet Digi-Pro pump.

Winterizing Instructions for Misting Fan Heads

1. Remove all nozzles from fan ring. This allows the nylon hose and rings to completely drain, which prevents breakage due to freezing.
2. Clean the nozzles with 50/50 diluted vinegar and warm water. Do not use harsh chemicals as they will harm the o-rings.
3. Store nozzles in a small container or baggie to prevent them from collecting dust while not in use.
4. For harsh winter weather conditions, cover or store the fan heads to prevent them from becoming damaged.

Replacement Parts

Please contact HydroMist for pricing and availability of replacement parts.

Available CentraMist Fan Models

PART NO.	DESCRIPTION
F10-14-018	20" Black Ceiling Misting Fan with 5 Nozzles
F10-14-019	20" White Ceiling Misting Fan with 5 Nozzles
F10-14-020	20" White Tower Misting Fan with 5 Nozzles

HydroMist One (1) Year Limited Warranty

All HydroMist products are warranted for a period of one (1) year for defects in workmanship and materials under normal use and service. This warranty is extended solely to the original purchaser. In order to initiate this warranty, the product registration form must be completed and sent to HydroMist, along with a copy of the purchase invoice, within 30 days of purchase.

In General: If a HydroMist product fails because of defect in material or workmanship under normal use and maintenance within one year from date of purchase, we will, at our option and after inspection, repair or replace the defective product.

About Your Warranty: Fan products, like all mechanical devices, need periodic parts and service to perform well. Normal use and service means not to operate in excess of recommended maximum speeds, pressures, temperatures or using fluids not recommended or compatible with component materials.

