



Professional Fans Owner's Manual

misting & non-misting



Digital Copy

HydroMistUSA.com



a division of Flametech Industrial, LLC

©2025 HydroMist. All rights reserved.

The purpose of this document is to be informative, and as such is not guaranteed to be error-free. HydroMist takes steps to ensure that our information is correct and as error-free as is reasonable. Please let us know if you believe you found a typo or error.

What's In the Box

QTY	NON-MISTING FAN CONTENTS
1	Fan Only
1	Wall Mounting Bracket with Set of Sleeve Anchors & Lagbolts
2	Fan Bracket Screws
2	Replacement Fuses
1	Cover

QTY	MISTING FAN CONTENTS
1	Fan with Misting Ring and Hose Adapter
<i>one set of</i>	4 Misting Nozzles for 14" Fan 5 Misting Nozzles for 18" Fan 8 Misting Nozzles for 24" Fan
1	Wall Mounting Bracket with Set of Sleeve Anchors & Lagbolts
2	Fan Bracket Screws
2	Replacement Fuses
1	Cover

Warnings

- Read and follow all instructions before operating fan.
- Do not use fan if any parts are damaged or missing.
- Never insert fingers or any other objects into grilles while fan is operating.
- Always disconnect fan from power outlet before cleaning, moving, or repositioning.
- Do not expose fans to harsh chemicals or water from high-pressure cleaner (pressure washer).
- To clean, wipe down with soapy water and gently rinse with hose. Allow fan to dry thoroughly before reconnecting to power outlet.
- Motor bearings are sealed and do not require additional lubrication.
- For misting fans, do not operate mist in freezing weather conditions. Misting components must be winterized to prevent damage. See page 7.

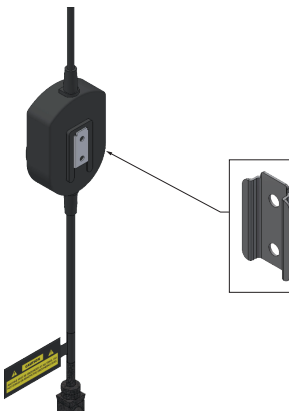
Installation

Fan plugs contain fuses that are required for proper operation, therefore fans cannot be hardwired.

1. Determine location of fan(s)
 - Recommended Installation Heights

14" Fans	6–8 Feet
18" Fans	8–10 Feet
24" Fans	Over 10 Feet
 - For best airflow coverage, measure from ground to base of mounting bracket.
 - Be sure fan has plenty of room to oscillate without hitting objects. Installation within or too close to pathways is not recommended.
 - Make sure power outlet is near fan mounting point.
2. Mount bracket using provided anchors
 - Lagbolt—1/8" pilot hole for wood
 - Sleeve anchor—3/8" masonry for concrete and brick
3. Attach fan by sliding fan on top of bracket and securing with bracket screws. Longer screw with cotter pin goes on bottom.

If you are unsure of the proper installation methods required to safely mount the fan bracket, and/or lack the proper tools for installation, hire a qualified professional to provide assistance.



For Cord-Control Models

- Control knob ships with mounting bracket attached. Remove by sliding off the control.
- Secure bracket with flanges facing outward and elongated back facing upward.
- Tip: Mount control directly under fan to conceal excess cord in tube of wall bracket.

Setup

Tilt Adjustment

Firmly grasp fan head and tilt up and down to desired position. Tilting mechanism clicks at predefined angles for solid hold.

WARNING! *Tilt mechanism is spring loaded and uses the weight of fan head to adjust. Do not undo bolt as this may cause failure.*

Oscillation

Oscillation covers 30 degrees to right or left from center. If fan is mounted in corner space, it may be pivoted and secured on bracket to change center of oscillation.

- Press down on oscillation knob (top of fan motor) to make fan oscillate.
- Pull up on oscillation knob to stop oscillating.
- To change center of oscillation:
 1. Remove top and bottom screws that secure fan to wall bracket.
 - Discard bottom screw and cotter pin.
 2. Pivot fan to desired position.
 3. Lock into place by using shorter top screw and fastening into threaded hole on front part of bracket. Tighten well.

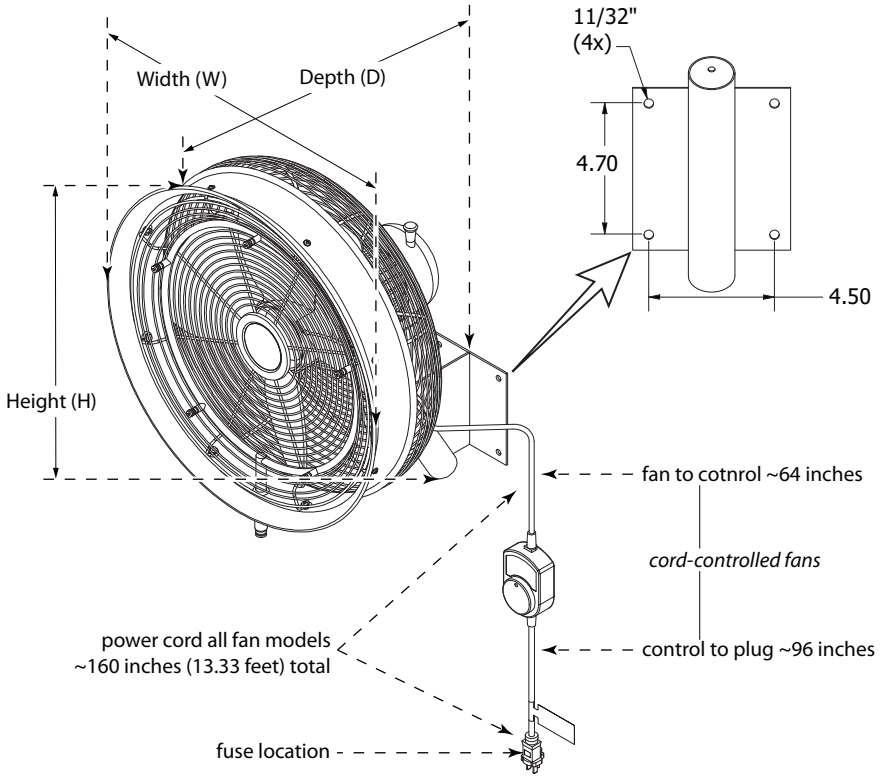
If oscillation knob becomes loose, use Phillips screwdriver to tighten reverse threaded screw located inside knob.

Speed Control

Turn the speed control knob to set desired relative fan speed. Actual speed (RPM) differs for each fan size; see specifications on page 6.

Speeds: 0 = Off 1 = Low 2 = Medium 3 = High

Specifications



FAN SIZE	WGT (LBS)	DIMENSIONS			SPEED NO.	POWER CONSUMPTION			SPEED RPM	VOL. CFM	NOISE DB
		W (IN)	D (IN)	H (IN)		VOLTS	AMPS	WATTS			
14"	18	16.9	16.9	23.2	1	110 at 60 Hz	0.31	32	974	950	56
					2		0.47	49	1321	1,340	62
					3		0.91	98	1,695	1,680	64
18"	27	20.3	17.5	25.2	1	110 at 60 Hz	0.90	98	1,019	2,500	65
					2		1.20	131	1,225	3,000	68
					3		1.64	179	1,500	3,760	70
24"	37	26.3	17.5	26.3	1	110 at 60 Hz	1.19	123	701	3,650	65
					2		1.47	158	920	4,700	71
					3		1.80	194	1,057	5,300	77

Fan requires US standard 120 volts grounded outlets (NEMA 5-15R or 5-20R).

Winterizing Instructions for Misting Fan Heads

1. Remove all nozzles from fan ring. This allows nylon hose and rings to completely drain, which prevents breakage due to freezing.
 - Tip: Storing nozzles in small a container or bag prevents collecting dust while not in use.
2. Clean nozzles with 50/50 diluted vinegar and warm water. Do not use harsh chemicals as they will harm o-rings.
3. For harsh winter weather conditions, cover, or store the fan heads to prevent damage.

HydroMist One (1) Year Limited Warranty

HydroMist products are warranted for a period of one (1) year from date of purchase for defects in workmanship and materials under normal use and service. This warranty is extended solely to the original purchaser.

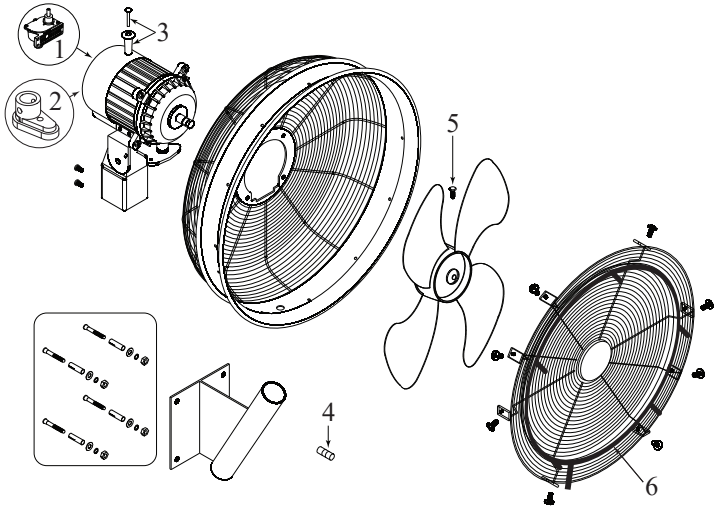
Altering the construction of a fan in any manner not prescribed by this manual is not considered normal use and voids the warranty. This includes, but is not limited to, cutting the cord or modifying the bracket.

In General: If a HydroMist product fails because of defect in material or workmanship under normal use and maintenance within one year from date of purchase, we will, at our option and after inspection, repair or replace the defective product.

About your Warranty: Fan products, like all mechanical devices, need periodic parts and service to perform well. Normal use and service means not to operate in excess of recommended maximum speeds, pressures, temperatures or using fluids not recommended or compatible with component materials.

Warranty does not cover damage caused by natural weathering conditions or any acts of God.

Replacement Parts



ITEM NO.	DESCRIPTION	14" PART NO.	18" PART NO.	24" PART NO.
1	Oscillator Assembly	F10-10-131	F10-10-131	F10-10-131
2	Oscillator Arm Drive Bushing	F10-10-103	F10-10-103	F10-10-103
3	Oscillating Knob, Black with Reverse-Threaded Screw	F10-10-054	F10-10-054	F10-10-054
4	Fuse, (inside fan plug)	F10-10-111	F10-10-111	F10-10-111
5	Fan Blade, White Plastic	—	F10-10-057	—
5	Fan Blade, Black Plastic	—	F10-10-061	—
5	Fan Blade, Aluminum	—	—	F10-10-066
6	Misting Ring with Grommet (according to fan size)	F10-11-014	F10-11-018	F10-11-024
not shown	Misting Nozzle (10/24 thread)	F10-08-001 (4 per ring)	F10-08-001 (5 per ring)	F10-08-001 (8 per ring)

**Want more cool?
Turn your fan into a misting system!**



Shop our misting kits!